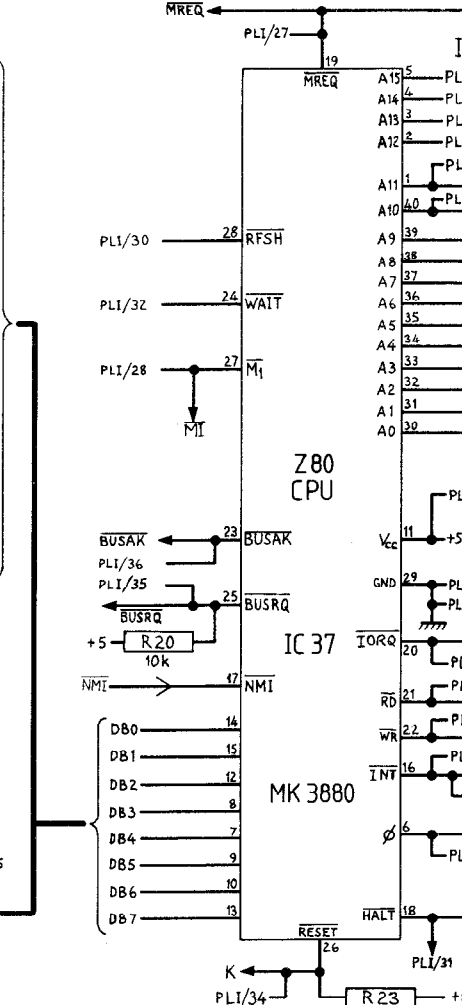
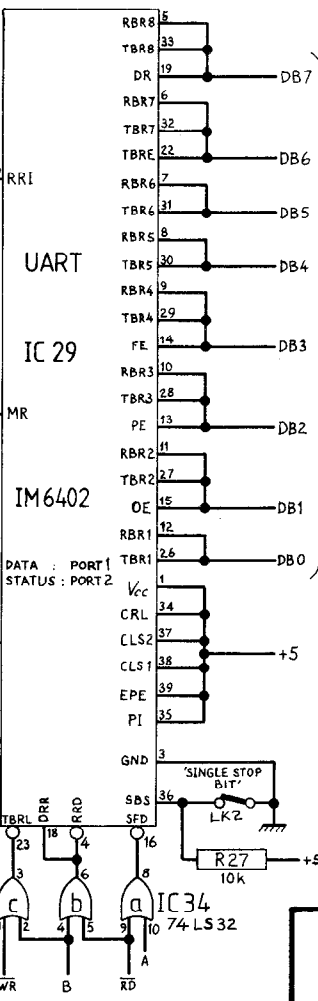
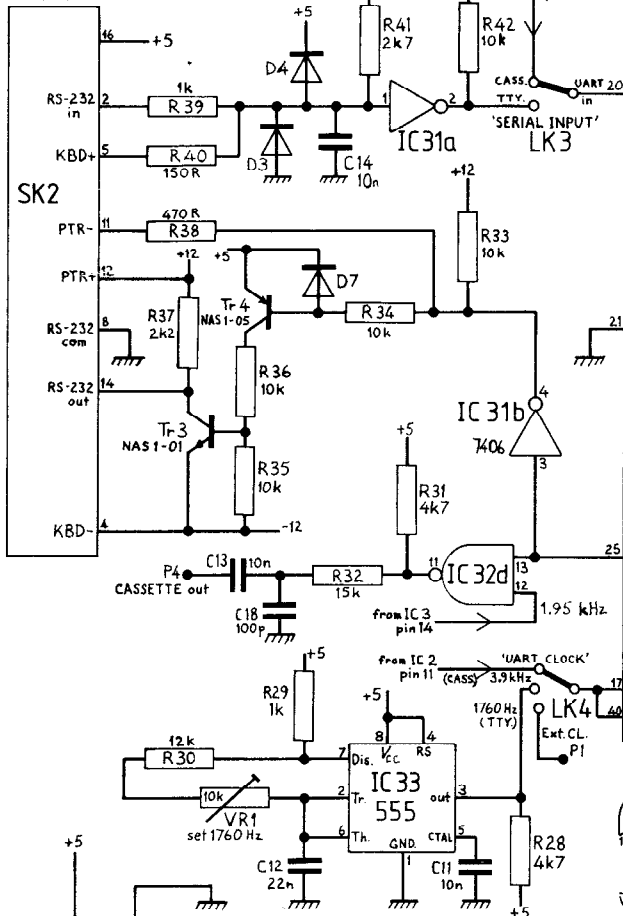
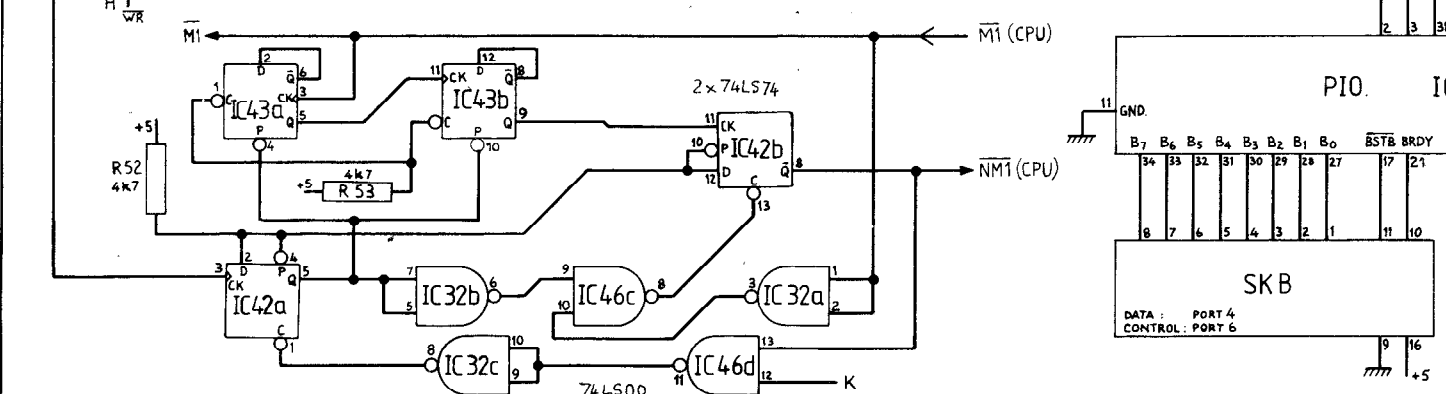
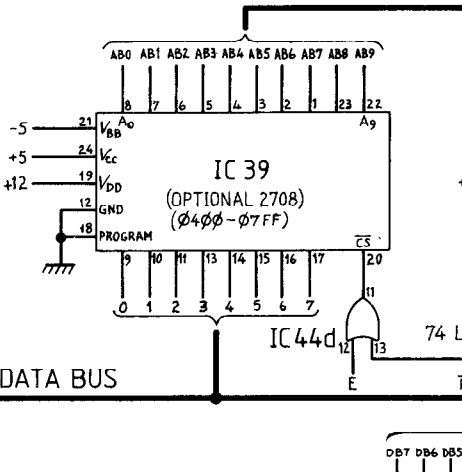
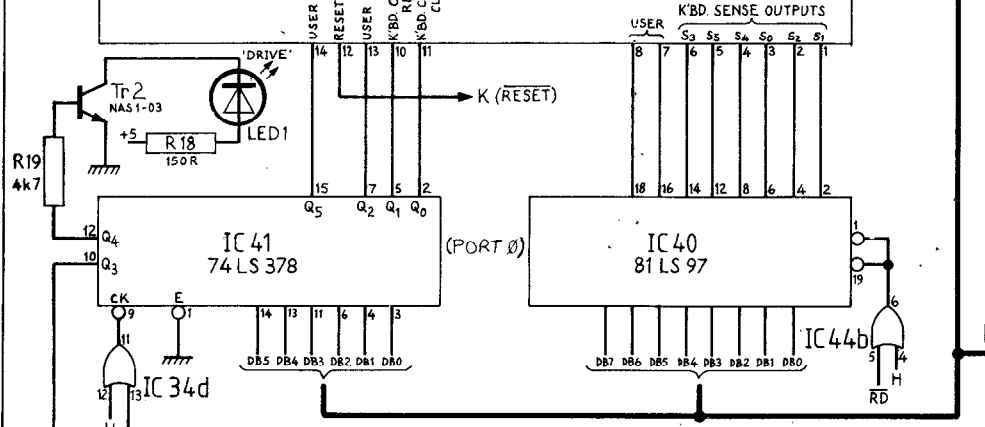


SERIAL DATA SOCKET



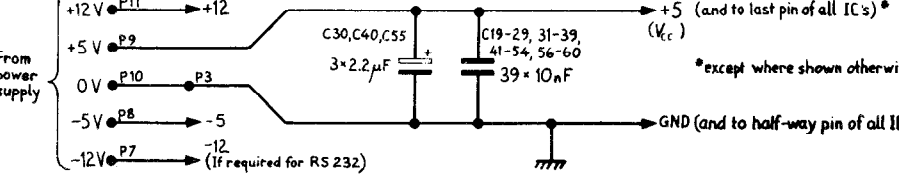
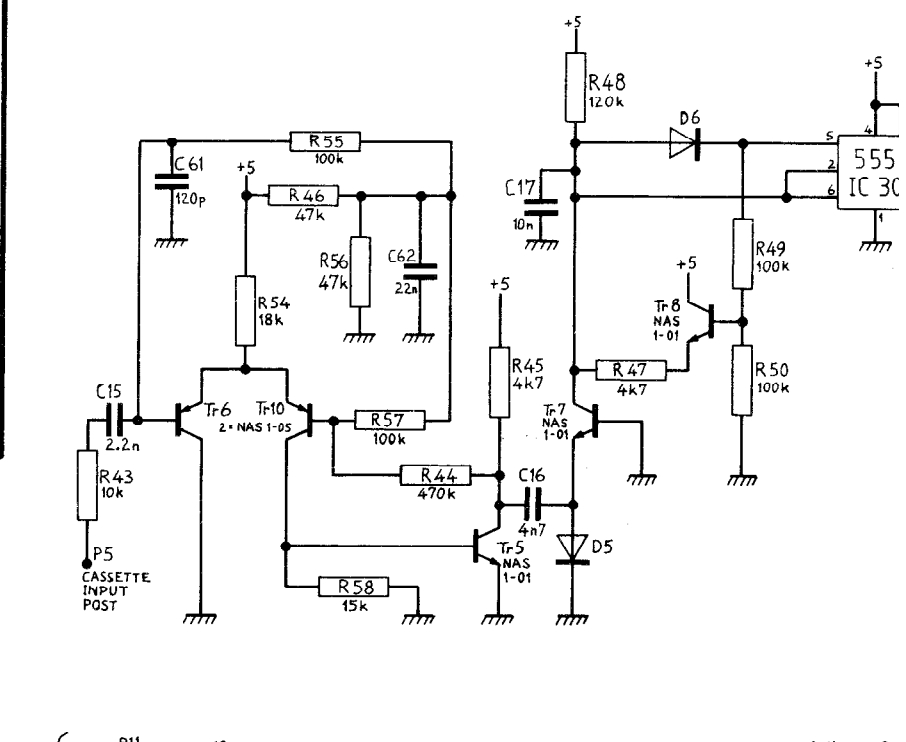
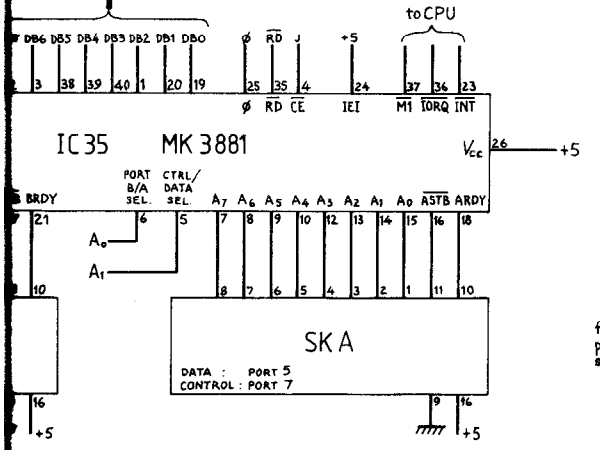
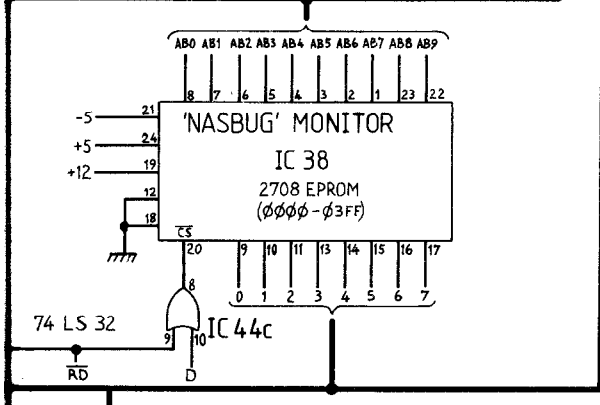
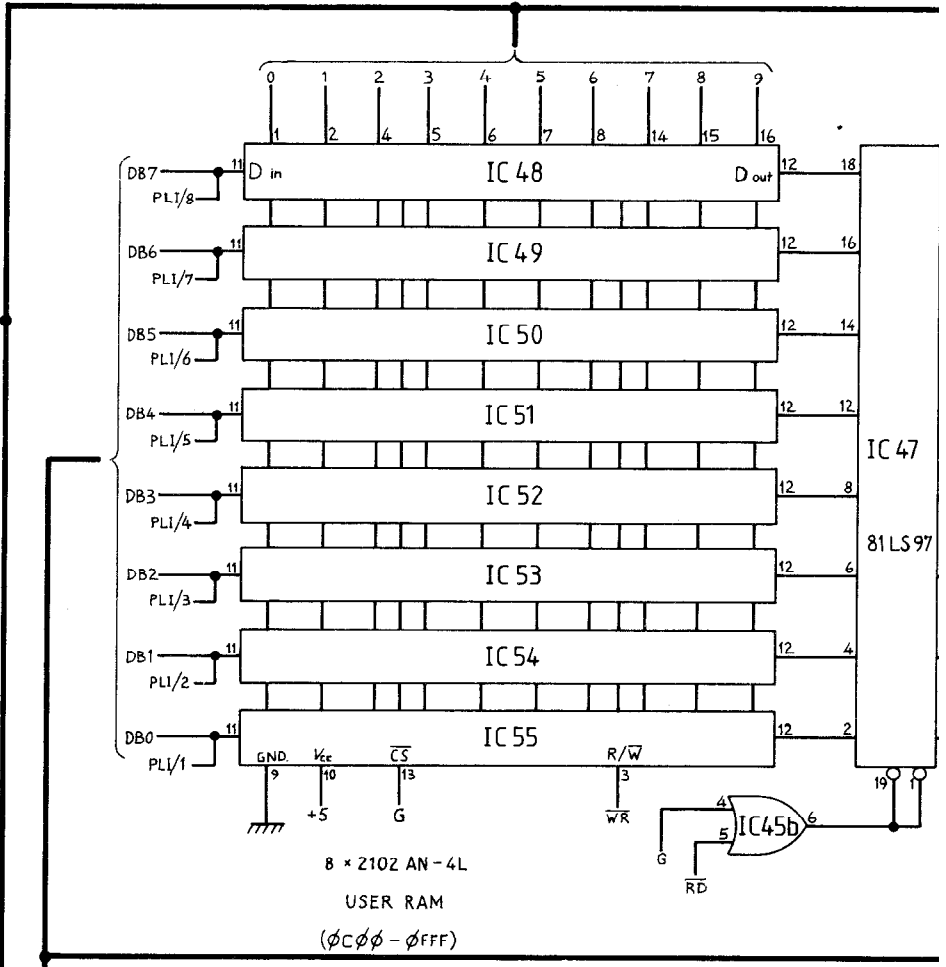
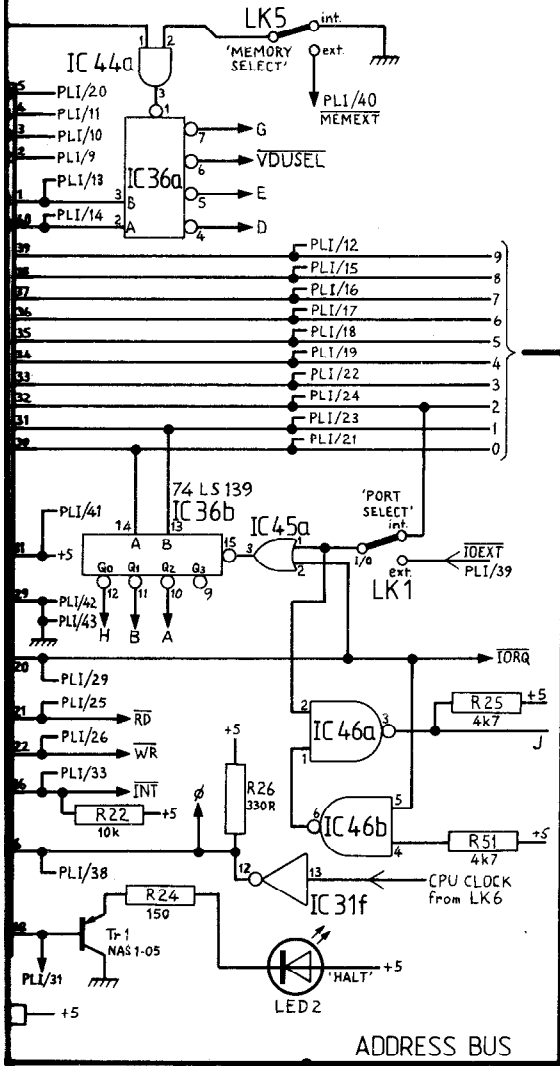
KEYBOARD CONNECTOR SK1



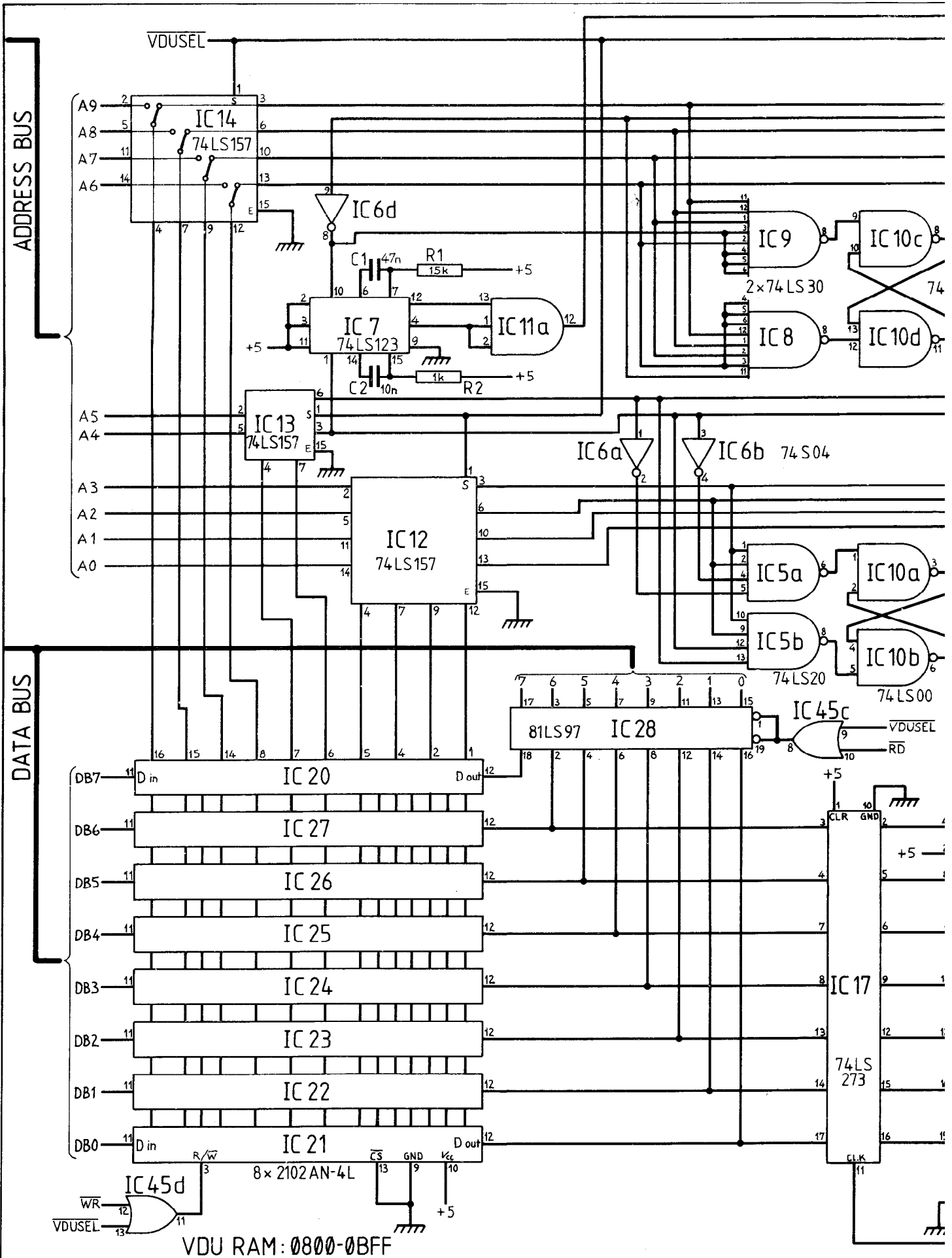
Supersedes Drg. No.
Copyright Note

LYNX ELECTRONICS (LONDON) Ltd. /
NASCO SALES Ltd. Chesham, Bucks, England

NASCOM 1 - Circu



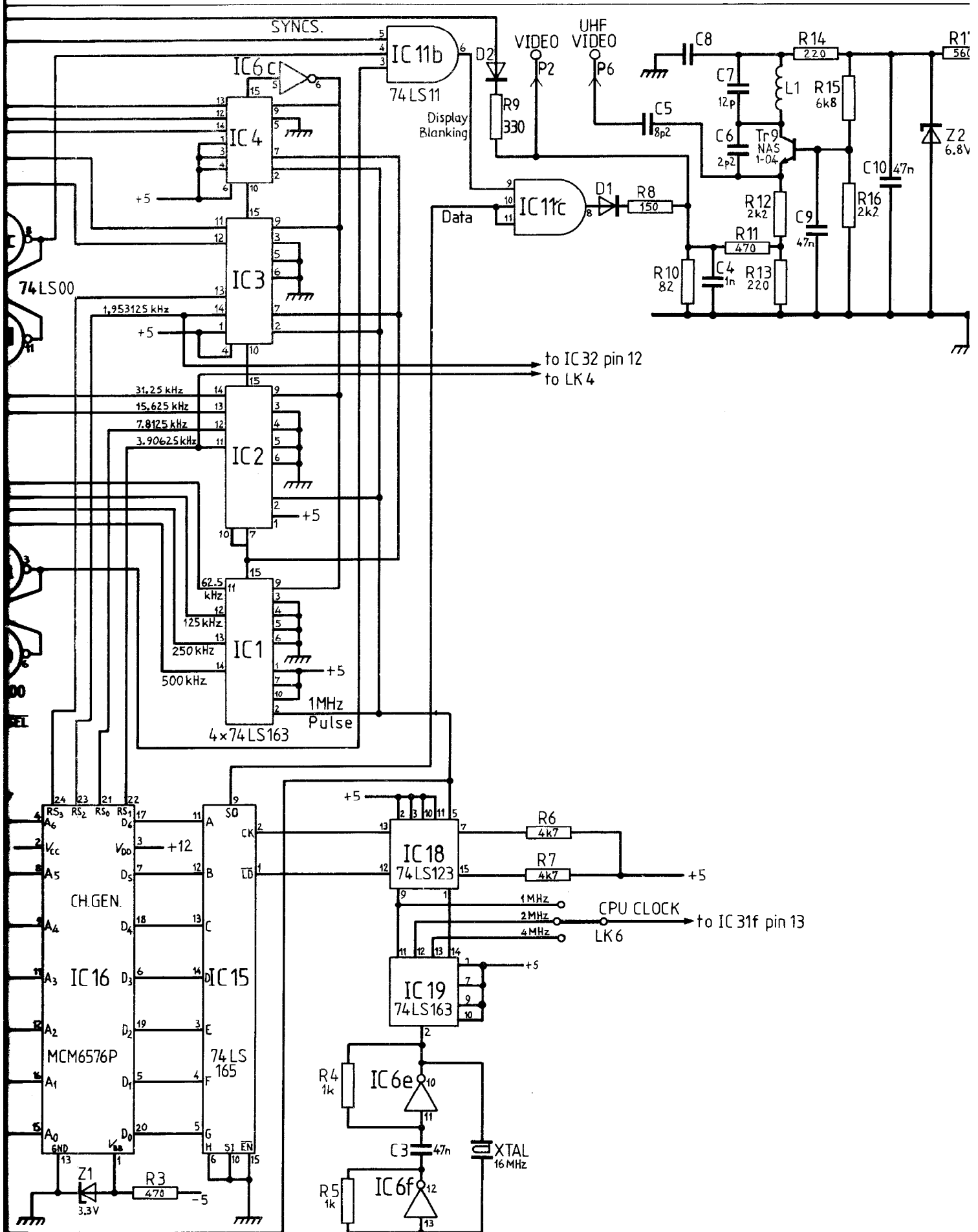
Circuit Diagram



Supersedes Drg.No.
Copyright Note

LYNX ELECTRONICS (LONDON) Ltd. /
NASCO SALES Ltd. Chesham, Bucks, England

NASCOM 1 : Circuit

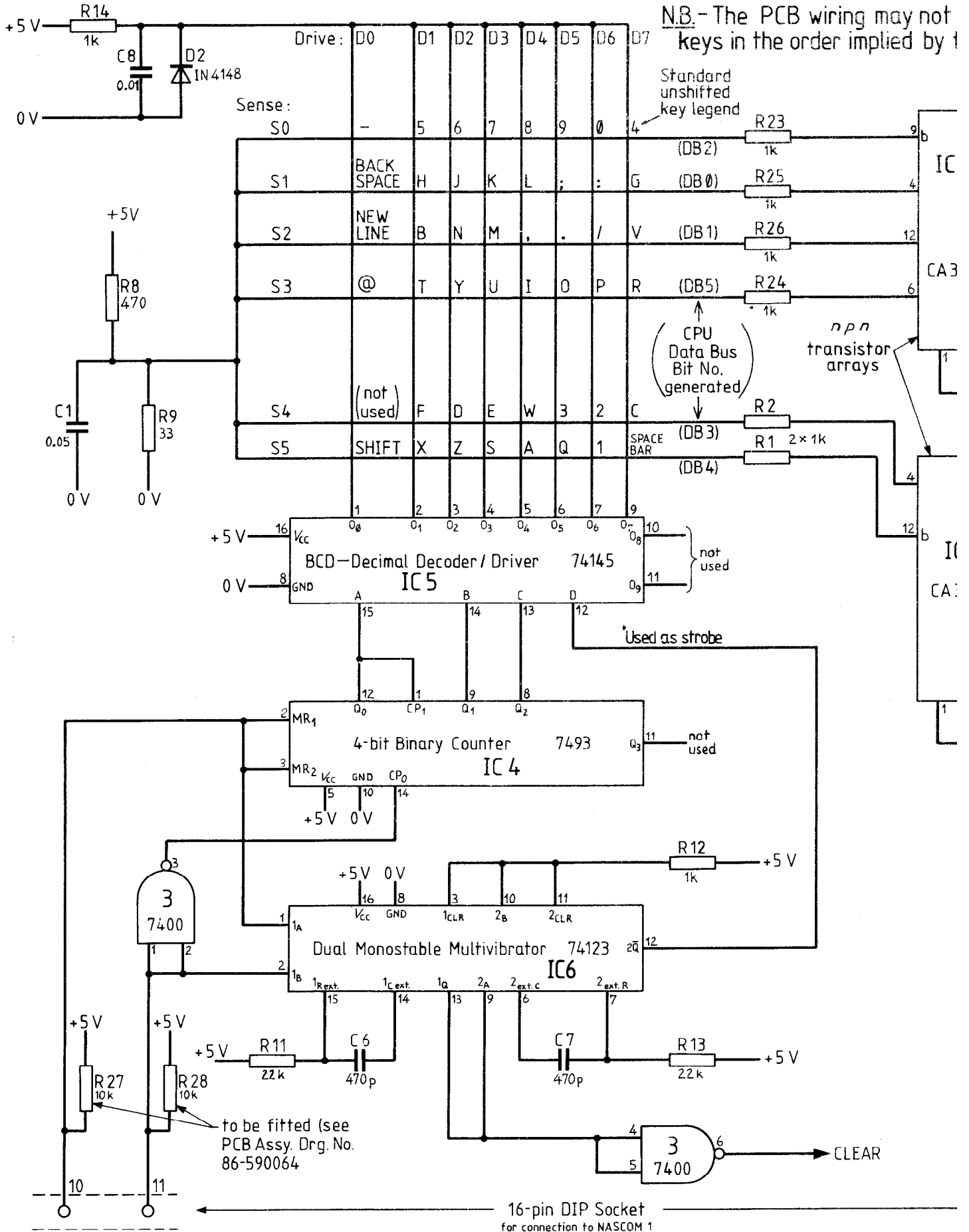


N.B. - The PCB wiring may not be keys in the order implied by t

Standard unshifted key legend

CPU Data Bus Bit No. generated

n p n transistor arrays

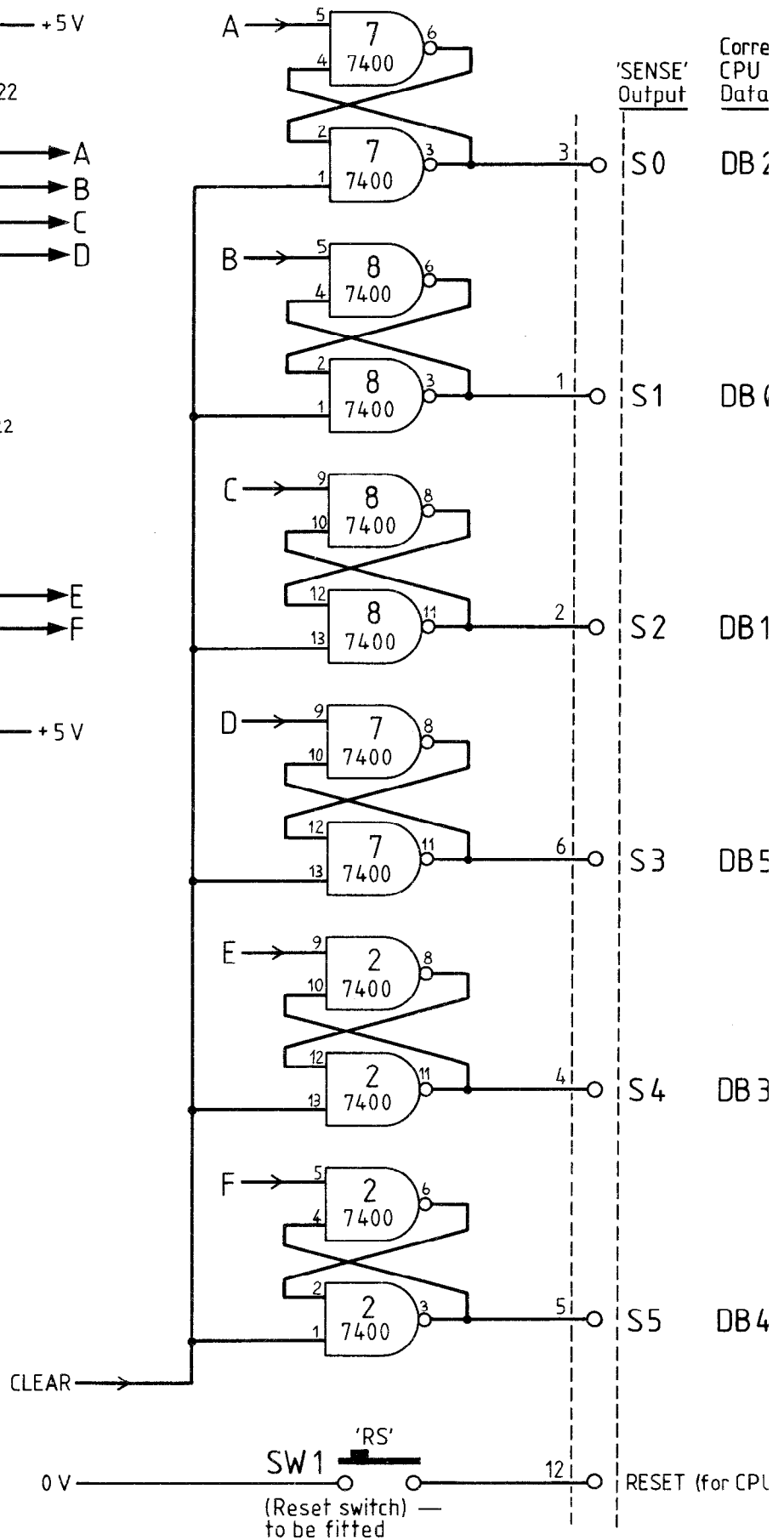
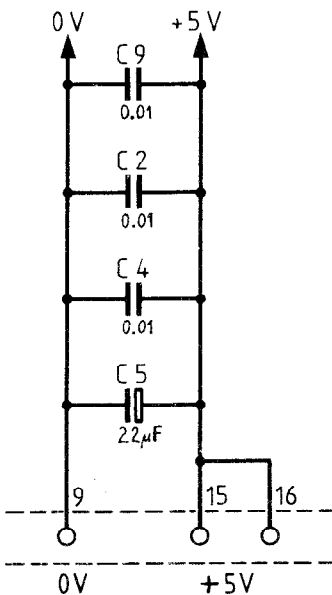
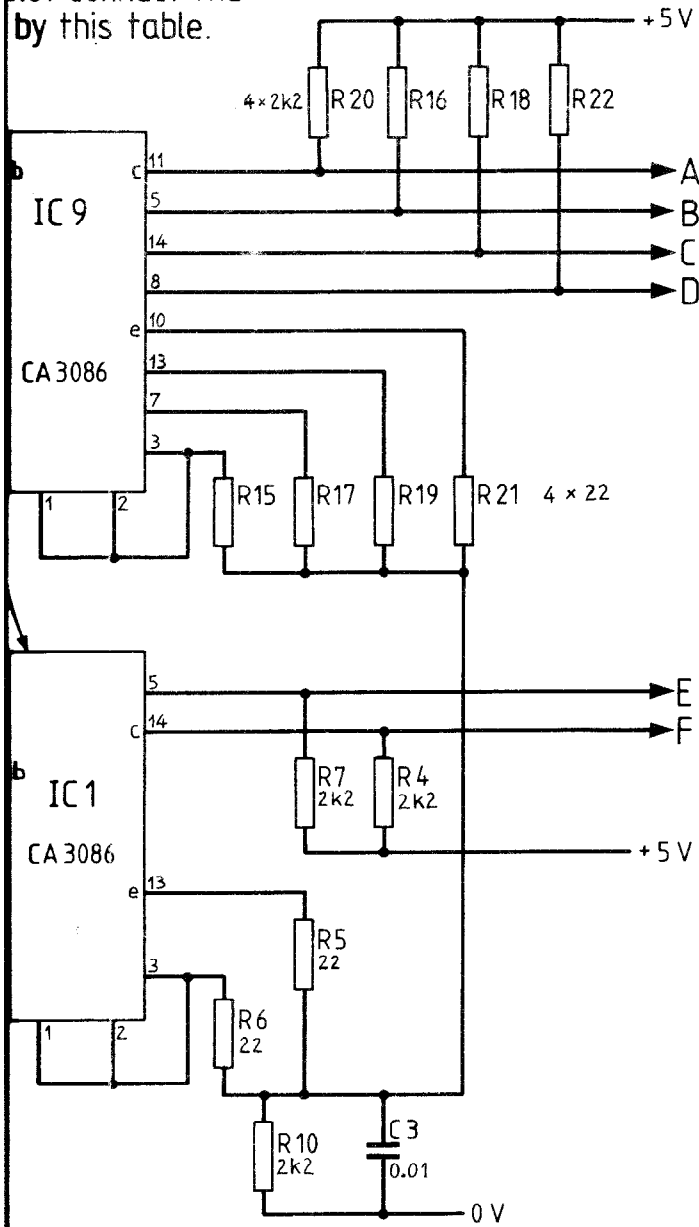


Supersedes Drg. No.
Copyright Note

LYNX ELECTRONICS (LONDON) Ltd./
NASCO SALES Ltd. Chesham, Bucks, England

NASCOM 1 Keyboard
ref. 55-509032

not connect the
by this table.

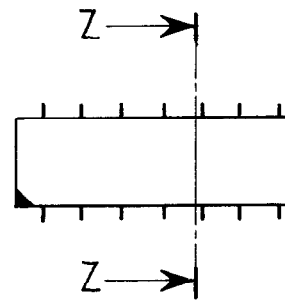
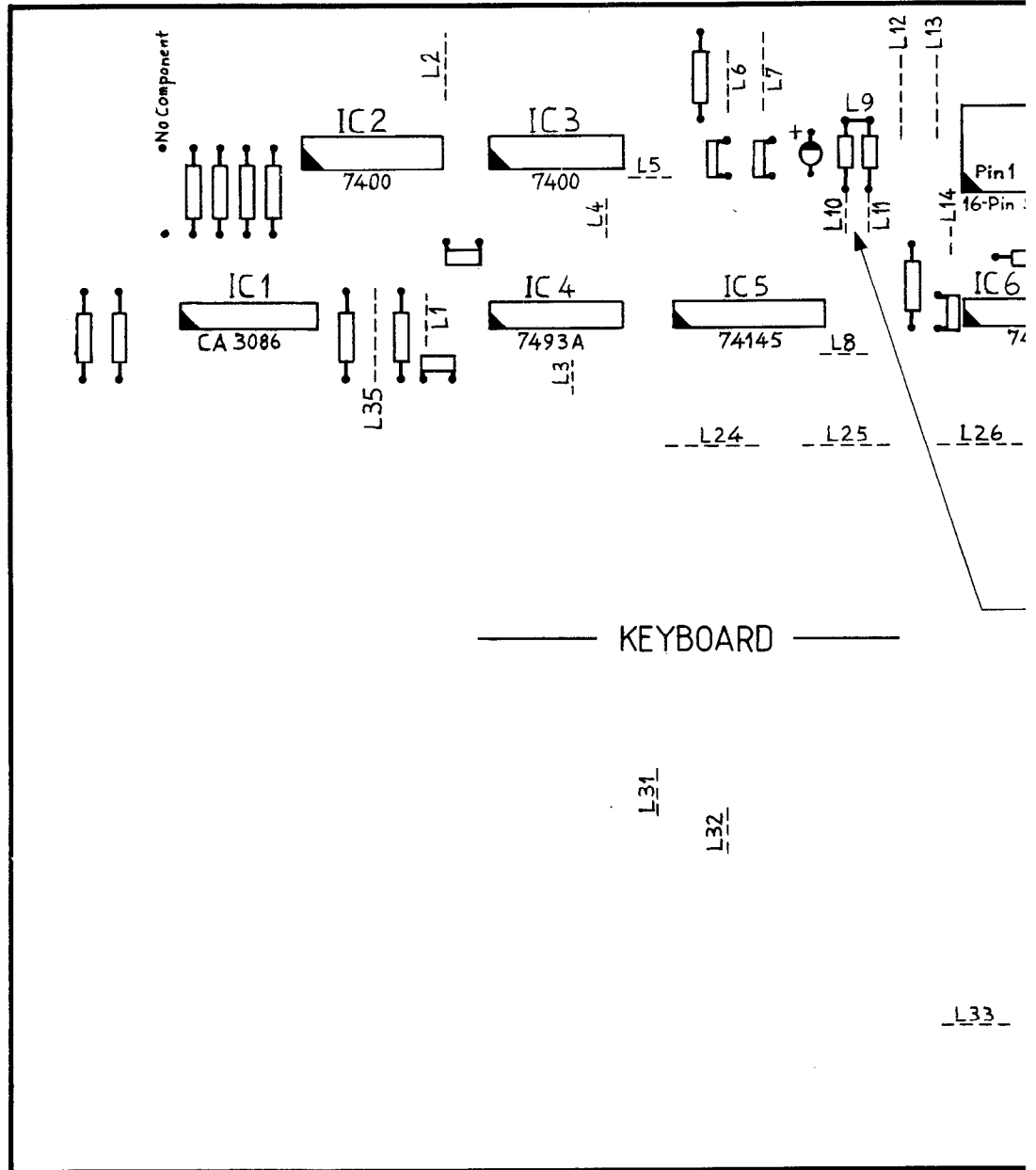


board Circuit Diagram

Note:
Spare: $\frac{1}{2}$ IC 1, $\frac{1}{2}$ IC 3
Socket pins 7, 8, 13 & 14
Not allocated: D1 & R3

Issue No. 3 Date Apr 78 Scal
Sheet No. 1 of 1 sheets
Drg. No.

CK 9009 (Redrav



DETAIL 'A' SCAL

Supersedes Drg. No.
Copyright Note

LYNX ELECTRONICS (LONDON) Ltd. /
NASCO SALES Ltd. Chesham, Bucks, England

NASCOM 1 KEYBOA
P.C.B. ASSEMBLY r

